















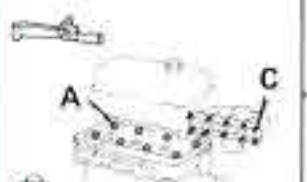








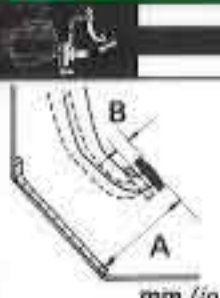



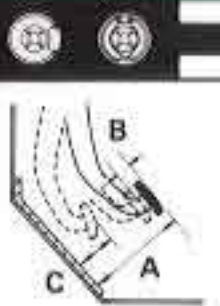




		4A-GEL	
CC (cu. in.)		1587 (96.8)	
		5.5-6.8 (0.22-0.27)	
		8.2-9.3 (0.32-0.37)	
		_____	
mm (in.)		_____	
	ND	Q20R-U11	
	NGK	BCPR6EY11	
	A	1.1 (0.043)	
mm (in.)		_____	
		↓ 25	
KΩ		_____	
	A	_____	
	B	_____	
mm (in.)		_____	
		10°	
BTDC		_____	
		0.15-0.25 (0.006-0.010)	
		0.20-0.30 (0.008-0.012)	
mm (in.)		_____	
		800	
rpm		_____	
		1.0-2.0	
CO%		_____	

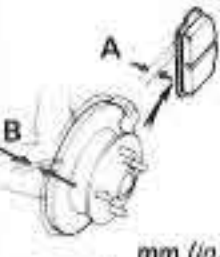
		12.7 (Europe) 12.6 (General) (181) (179)	
kg/cm ² (psi)		↑ 9.0 (128)	
		↓ 1.0 (14)	
mmHg (in. Hg)		_____	
		↑ 400 (15.75)	
kg/cm ² (psi)		_____	
		↑ 0.3 (4.3)	
3,000 rpm		2.5-5.0 (36-71)	
		A	
kg-cm (ft-lb)		610 (44)	
		B	
		C	
kg-cm (ft-lb)		220 (16)	
		C	
kg-cm (ft-lb)		250 (18)	

		4A-GEL	
		3.0 (2.6)	
liter (imp. qt)		_____	
		3.3 (2.9)	
liter (imp. qt)		_____	
		Europe API SE, SF General API SC, SD, SE, SF	
liter (imp. qt)		12.8 (11)	


			
A	153-163 (6.02-6.42)	168-178 (6.61-7.01)	
B	5-15 (0.20-0.59)		
	SAE J1703, DOT3		


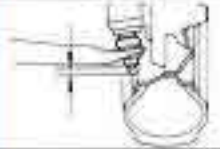


			
A	154-164 (6.06-6.46)	160-170 (6.30-6.69)	
B	3-6 (0.12-0.24)		
C	70 (2.76)	80 (3.15)	



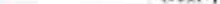
	SAE J1703, DOT3	
	5-8	



	A	1.0 (0.039)
	B	17.0 (0.669) 9.0 (0.354)



	—
--	---



	—
--	---



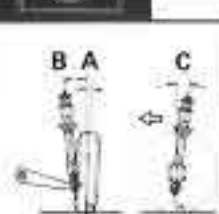

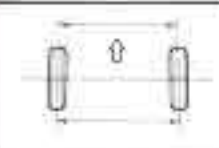
	AW
	0(0)
	—
	1050 (76)




	AW
	2.3 (2.0)
	API GL-4.5 SAE 75W-90

	—
	—

	—
	—

	AW
	30 (1.18)

			
	A	0°15' ± 30'	-45° ± 30'
	B	(12°00' ± 45')	—
	C	5°20' ± 30'	—
	D	36°30'	—
	E	21°	—
		1 ± 1 (0.04 ± 0.04)	5 ± 1 (0.20 ± 0.04)
		3.0 (0.118)	

		
	185/60 R14	1.8 (26)