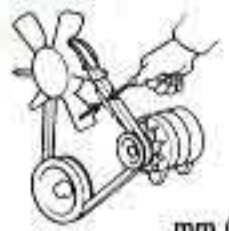



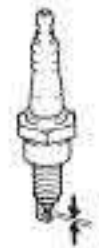





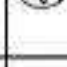












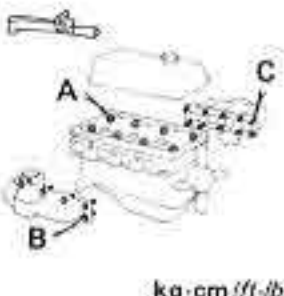





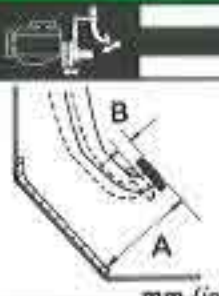


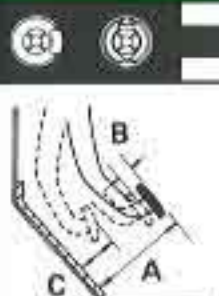



		4A-GEL	
CC (cu. in)		1587 (96.8)	
		5.5-6.8 (0.22-0.27)	
		8.2-9.3 (0.32-0.37)	
		—	
	ND	PQ16R (AW11L-WCMQFG) Q20R-U11 (Others)	
	NGK	BCPR5EP11 (AW11L-WCMQFG) BCPR6EY11 (Others)	
	A	1.1 (0.043)	
		25	
	A	—	
	B	—	
	BTDC		10°
		0.15-0.25 (0.006-0.010)	
		0.20-0.30 (0.008-0.012)	
			800
			0.5-1.5 (AW11L-WCMQFG) 1.0-2.0 (Others)
CO%			

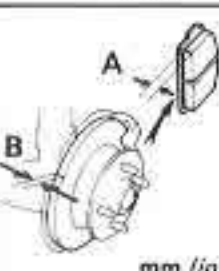

		12.6 (AW11L-WCMQFG) (179) General	12.7 (181) (Others)
		9.0 (128)	
		400 (15.75)	
		0.3 (4.3)	
		2.5-5.0 (36-71)	
	A	610 (44)	
	B	280 (20)	
	C	250 (18)	


		4A-GEL	
		3.1 (2.7)	
		3.4 (3.0)	
		Europe API SE, SF General API SC, SD, SE, SF	
liter (Imp. qt)		12.4 (10.9)	

			
A	153-163 (6.02-6.42)	168-178 (6.61-7.01)	
B	5-15 (0.20-0.59)		
SAE J1703, DOT3			

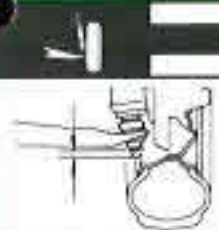


			
A	164-164 (6.06-6.46)	160-170 (6.30-6.69)	
B	3-6 (0.12-0.24)		
C	70 (2.76)	80 (3.15)	
SAE J1703, DOT3			



	20 kg (44 lb)	5-8	
--	---------------	-----	--



	A	1.0 (0.039)	
B			
	B	17.0 (0.669)	9.0 (0.354)

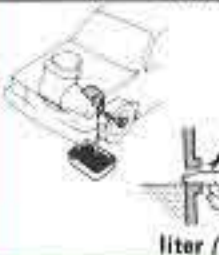
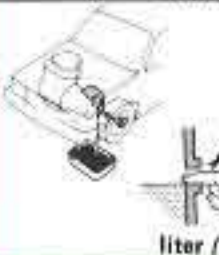
	—		
--	---	--	--


	—		
--	---	--	--

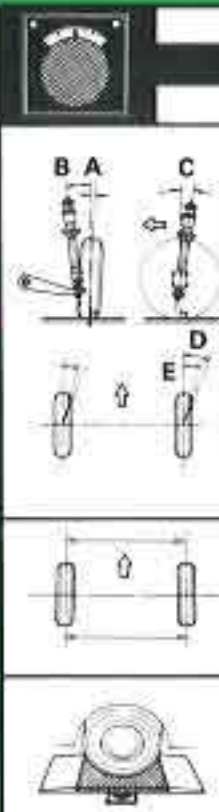

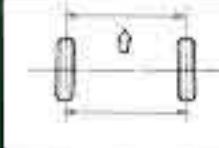

	AW	0 (0)
	—	—
	1050 (76)	—



	AW	2.6 (2.3)
	API GL-4,5 SAE 75W-90, 80W-90	—

	—	—
	—	—

	—	—
	—	—

	AW	30 (1.18)
--	----	-----------

		
A	0°15' ± 30'	-45° ± 30'
B	12° ± 30'	—
C	5°20' ± 30'	—
D	36°30'	—
E	21°	—
	1 ± 1 (0.04 ± 0.04)	5 ± 1 (0.20 ± 0.04)
	3.0 (0.118)	—

			
	185/60 R14 82H	1.8 (26)	2.0 (29)